



STAINLESS STEEL BOAT HAND WINCH

Model: BHW-S

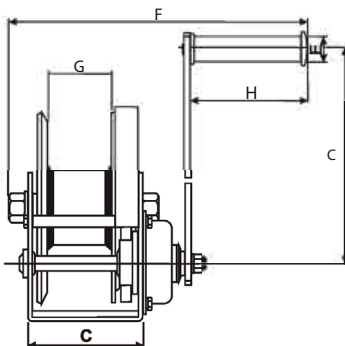
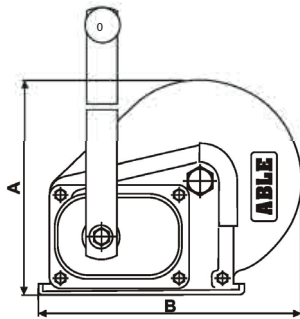


Our Stainless Steel Boat Winch is ideal for a wide range of applications, including use as a boat winch. This versatile equipment is designed for both pulling and lifting tasks, offering reliable performance across various scenarios. When properly equipped with approved wire rope and fittings, it complies with Australian Standards AS1418.2, ensuring safety and reliability for your needs.

Features

- Marine-Coated Corrosion-Resistant Finish: Durable in harsh marine environments for long-term use.
- Positive Weston-Style Brake: Securely holds the load in any position for reliable performance.
- Compact and Rugged Construction: Lightweight yet tough, designed to withstand demanding conditions.

BHW Specifications Drawings



Product Code	Lifting Capacity 1st rope layer	Pulling capacity 1st rope layer	Required Effort 1st rope layer	Drum Diameter (mm)	Gear Ratio	Rope Diameter (mm)	Rope Capacity total	Number of rope Layers max.	N.W. dw Sm SWR (kg)
10BHW1200S	270kg	545kg	15.0kg	48	4.2:1	4	33	9	4.0
10BHW1600S	600kg	1200kg	19.0kg	75	10:1	5	47	7	10.3

Product Code	Lifting SWL (Kg)	Pulling SWL (Kg)	Dimensions (mm)							
			A	B	C	D	E	F	G	H
10BHW1200S	270	545	156	184	88	210	27	272	51	109
10BHW1600S	600	1200	216	293	127	319	27	305	63	109

- Conform & tested aceto EN 13157:2004 +A1:2009
- AS1418.2 compliance applies when fitted with Approved wire Rope and Fittings.