

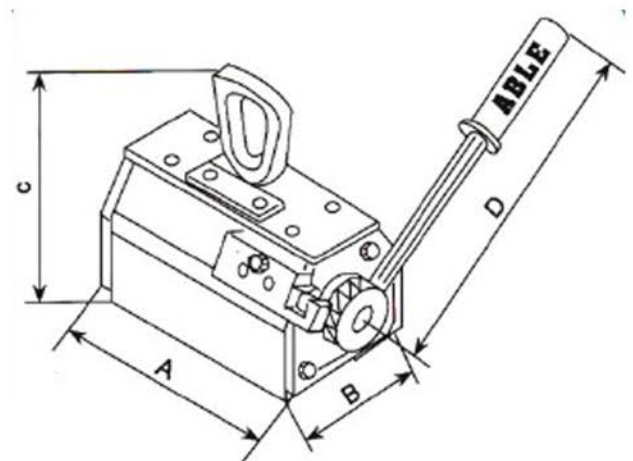
PERMANENT MAGNETIC LIFTER

Our permanent magnetic lifters are mostly used to raise steel plates, blocks, press moulds, etc. They are frequently used as lifting devices in factories, ports, warehouses, and the transportation sector since they are simple to use and secure to handle. You can enhance your working environment and boost your productivity by utilising them.

Features

- Can be used in a variety of industries for the transportation and lifting of steel, engine parts, semi-manufactured goods, and moulds
- Due to its magnetic force, there is no need to use slings or clamps
- Eliminates damage to the surface of lifted goods
- No electricity is needed for operation
- Simple switch and safety button design allows for one-handed operation
- Other sizes available at request

Please note colour and dimensions may vary depending on supplier



Part Number	Rated Capacity Flat Plate	Rated Capacity Cylinder	Weight (Kg)	Dimensions in mm			
				A	B	C	D
10PM001	100kg	30kg	3.1	100	65	92	160
10PM003	300kg	100kg	10.2	171	171	164	215
10PM006	600kg	200kg	21.2	223	223	234	215
10PM010	1000kg	300kg	36.3	271	271	264	313
10PM020	2000kg	600kg	84	447	447	380	430

CONTACT US

 1300 666 733

The Lifting Equipment Experts since 1974.

www.alllifting.com.au // info@allifting.com.au