

WIRE ROPE SHEAVE

Our wire rope sheaves are frequently used to help lift equipment within the construction, transport, infrastructure, mining and other industries among many others

Sheave Diameter: 63 - 200mm.



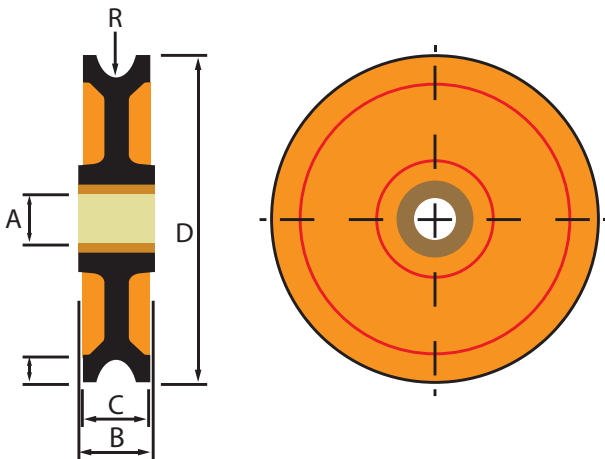
Applications

- ✔ For use with wire rope, sheave blocks

Features

- ✔ Yellow enamel finish
- ✔ Cast iron
- ✔ Only for use with wire rope
- ✔ Bronze bush as standard
- ✔ Custom sizes and capacities are available upon request

****Please note colour and dimensions may vary slightly depending on supplier**.**



Sheave Dia. D (mm)	Part No.	A (mm)	B (mm)	C (mm)	E (mm)	Rope dia. R (mm)
63	45589	12.5	20.5	19.5	4.8	5
75	45591	12.5	20.5	19.5	6.4	6
100	45595	19	24.5	23	8	8
125	45599	22	29.5	27	11	10
150	45601	25	32	30	12.7	12
200	45605	35	46	44	16	16